



► **Raceway and junction Box** ◀

CABLE MANAGEMENT SYSTEM

.....
SAFE • DURABLE • CUSTOMIZED

DK **DAKONS**
ENGINEERING PVT. LTD.

Raceway and Junction Box

ABOUT US



Since its introduction, Dakons Engineering Pvt. Ltd. has proven to be the ideal choice for cable management in many types of installations. Dakons is one of the most quality oriented brands in India in Cable management sector. Our product has been providing effective, efficient and innovative cable management solutions. Dakons is committed to provide technical, logistical and sales support across India & abroad.

MISSION OF QUALITY



Constantly striving to fulfill its mission to increase customer satisfaction, Dakons scrutinizes every step in the manufacturing process and applies strict procedures to ensure the highest possible quality in every product. We are an assessed & certified ISO 9001:2015 Quality management system. Dakons has developed a marketing and R & D strategy that offers installers and customers innovative products that combine reliability, safety and value.

VISION



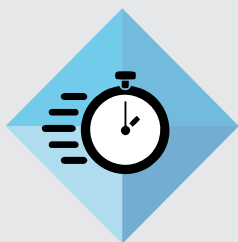
Dakons Engineering Pvt Ltd is started with a vision of creating an Indian brand offering world class quality & solutions in cable containment & support system for electrical & digital infrastructure.

DAKONS & INDIAN MARKET



In recent years the use of quality cable management products has expanded in India and Dakons is setting the pace in product innovation, quality control and timely delivery by producing world class products in India. In 2024 Dakons came up with a dedicated manufacturing facility in Vasai, Maharashtra to service the Indian & other Asian markets. This commitment to our customers will help meet the demands of an ever-growing market.

REASONS TO CHOOSE DAKONS CABLE MANAGEMENT SOLUTIONS



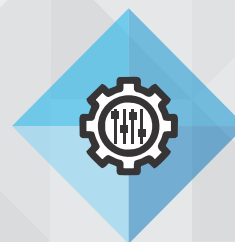
FAST

Fast coupling Solution
Time saving
for more economy.



SAFE

Products are designed
keeping cable &
installer safety in mind.



CUSTOMIZATION

Adapts to the changing
needs of the
project very fast.



CUSTOMER SUPPORT

Support our customers
for product selection,
installation, training & audits.



COMPLETE RANGE

For every environment
For all types of installations
For all types of activities.



QUALITY

The key strength of the
brand is to ensure best quality
products in its sector
in accordance to IEC 61537
& ISO 9001: 2015.



BETTER PRODUCTIVITY

Time saving in
installation saves
installation cost & increases
productivity.



AVAILABILITY

Running items kept
in stock standard lead
time - 3 -4 weeks.

Raceway and Junction Box

GI Raceway & Fixing Bracket

Material	Pregalvaized sheet (275gsm)
Standard thickness for body & cover	1.6 mm
Standard thickness for divider	1.2 mm
Standard height available	25 mm & 38 mm
Standard length	500 mm
No of compartments	1,2 & 3

Junction Box

Material	Pregalvaized sheet
For back box	Pregalvaized sheet
For top cover	Pregalvaized / HDG /MS powder coated/SS
Standard thickness for backbox	Mix off 1.2 / 1.6 mm & 2 mm
Standard thickness for top cover	2 mm & 3 mm
Resistance to flame propagation	Non flame propagating
Floor treatment	For dry treatment of floor
Electrical insulating characteristics	Without electrical insulation characteristics
Electrical continuity characteristics	With electrical continuity characteristics
Metal Raceways allows	Distribution of power data underneath to the screed or raised floor
System access	With a tool

Cable Capacity Guide

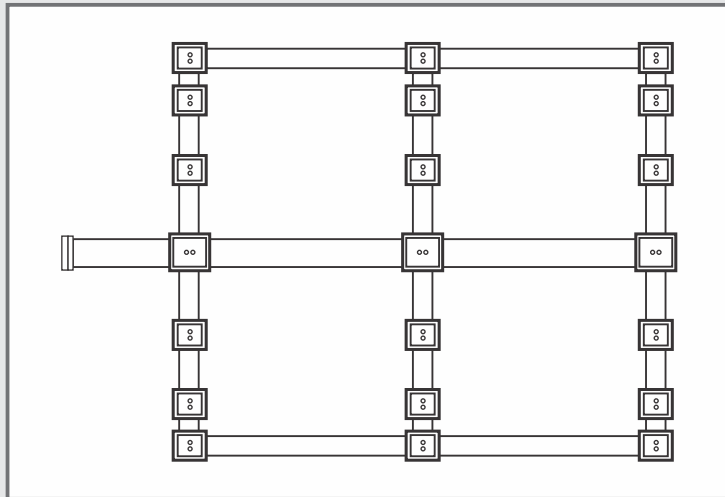
- The number & location of junction boxes depend upon no of workstations & layout
- Minimum no of junction box can be considered at every 10 square meter & maximum no of junction box at every 4 square meter
- We recommend not to exceed filling 45% of over all cross section

		Capacity: Maximum number of conductors per compartment (For one specific cable type)													
		PVC stranded							Twin & earth			Data cables			
Trunking	Available section at 45% fill mm ²	1.5 ² ø3.3	2.5 ² ø4	4 ² ø4.6	6 ² ø5.2	10 ² ø6.7	16 ² ø7.8	25 ² ø9.7	25 ² ø10.5	4 ² ø11.2	6 ² ø13.7	cat.5e UTP ø5.5	cat.5e STP ø6	cat.6 UTP ø6.5	cat.6 STP ø7
50 x 25	397	46	31	24	19	11	8	5	5	4	3	13	11	9	8
75 x 25	637	74	51	38	30	18	13	9	7	6	4	21	18	15	13
100 x 25	867	101	69	52	41	25	18	12	10	9	6	29	24	21	18
150 x 25	1328	154	105	80	63	38	28	18	15	13	9	44	37	31	27
225 x 25	703	82	56	42	33	20	15	10	8	7	5	23	20	17	14
	723	84	57	44	34	20	15	10	8	7	5	24	20	17	15
300 x 25	703	82	56	42	33	20	15	10	8	7	5	23	20	17	14
	950	111	75	57	45	27	20	13	11	10	6	31	26	23	19
	970	113	77	58	46	27	20	13	11	10	7	32	27	23	20
50 x 38	663	77	53	40	31	19	14	9	8	7	4	22	18	16	14
75 x 38	1040	121	83	63	49	29	22	14	12	11	7	34	29	25	21
100 x 38	1417	165	112	85	67	40	30	19	16	14	10	47	39	34	29
150 x 38	2171	252	172	131	102	61	45	29	25	22	15	72	60	51	44
225 x 38	1118	130	89	67	53	32	23	15	13	11	8	37	31	26	23
	1150	134	91	69	54	33	24	16	13	12	8	38	32	27	23
	1118	130	89	67	53	32	23	15	13	11	8	37	31	26	23
300 x 38	1512	176	120	91	71	43	32	20	18	15	10	50	42	36	31
	1544	179	123	93	73	44	32	21	18	16	10	51	43	37	32
	1512	176	120	91	71	43	32	20	18	15	10	50	42	36	31

***The above table gives the available capacity units on 45% factor, applied to the internal wiring area.

Raceway and Junction Box

Recommended layout patterns for Raceway & Junction box

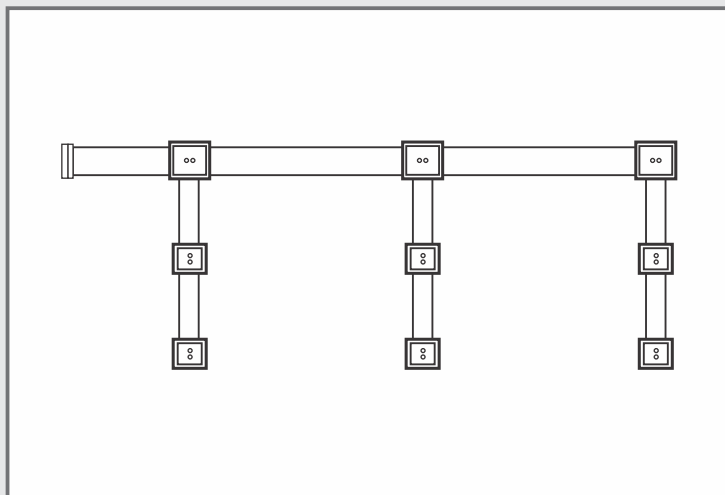
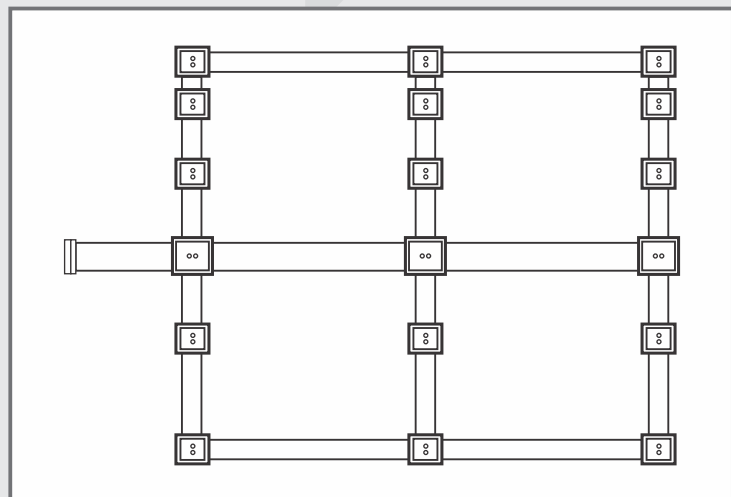


Grid Pattern

A Grid Pattern is widely used in areas where the client requires the highest degree of flexibility in reconfiguring workspace. Capacity can be increased by returning individual ring mains through different runs of trunking, which in itself allows easier installation.

Fishbone Pattern

The Fishbone Pattern is ideal for a medium sized area where less boxes are required.



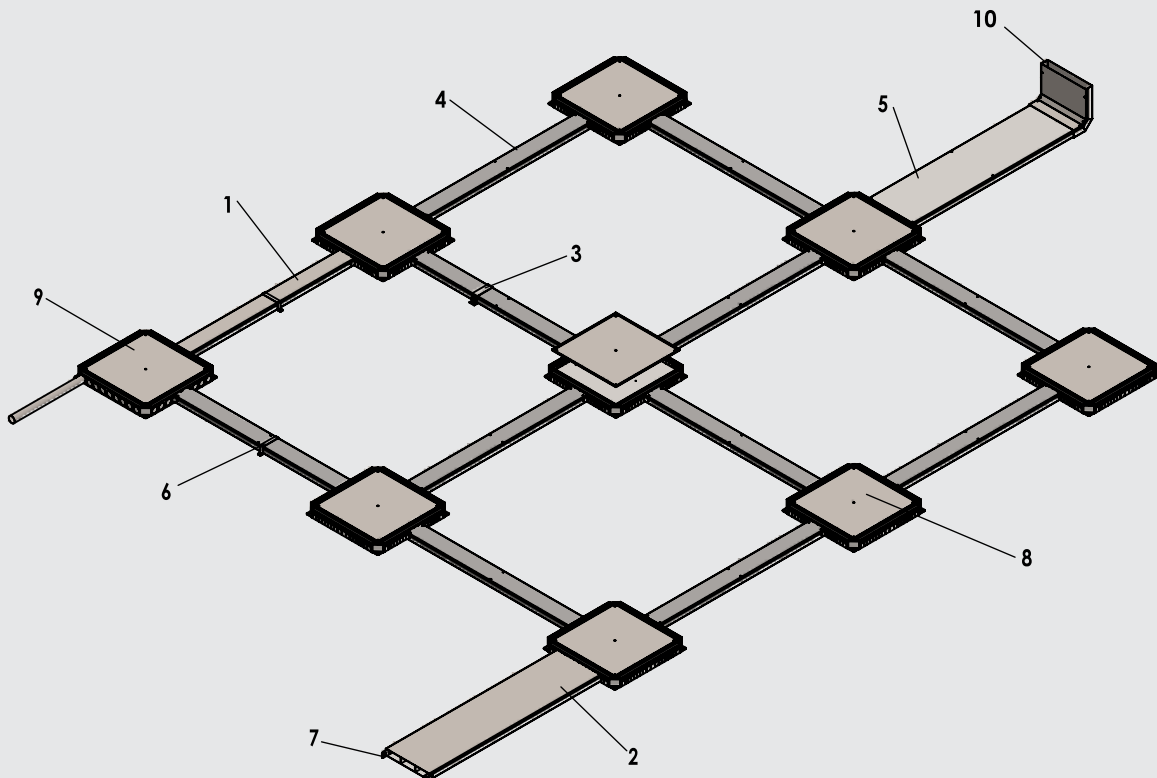
Comb Pattern

The Comb Pattern is suggested for small to medium office areas. It is the most economical way of installation in which a minimum of trunking is used.

Raceway and Junction Box

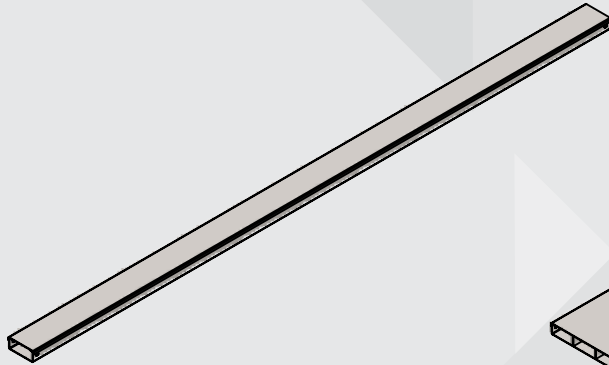
Index

No	PRODUCT NAME	PAGE NO.
1	GI Under floor Single Compartment Raceway with Welded Cover	Page -6
2	GI Under Floor Three Compartment Raceway With Welded Cover	Page -6
3	Fixing Bracket Cum Coupler	Page -6
4	GI Under Floor Single Compartment Raceway With Bolted Cover	Page -7
5	GI Under Floor Three Compartment Raceway With Bolted Cover	Page -7
6	Fixing Bracket	Page -7
7	Coupler Plate	Page -7
8	GI Under Floor Junction Box for Raceway	Page -8
9	GI Under Floor Junction Box for Conduit	Page -8
10	Vertical Riser	Page -8

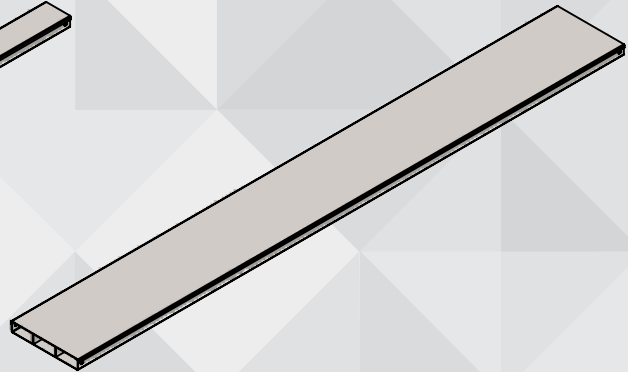


Raceway and Junction Box

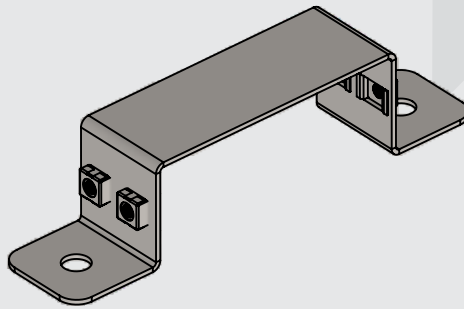
GI UNDERFLOOR RACEWAY WITH WELDED COVER



**GI Under Floor Single
Compartment
Raceway With Welded Cover**



**GI Under Floor Three
Compartment
Raceway With Welded Cover**

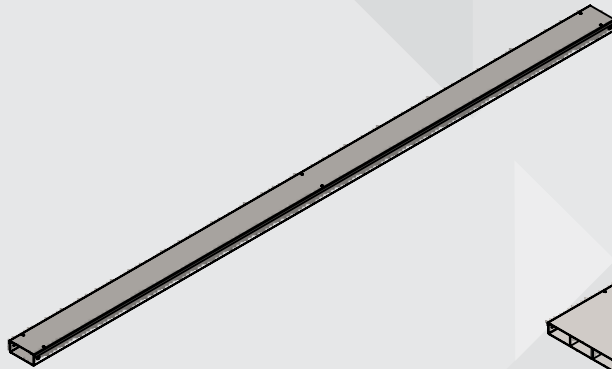


Fixing Bracket Cum Coupler

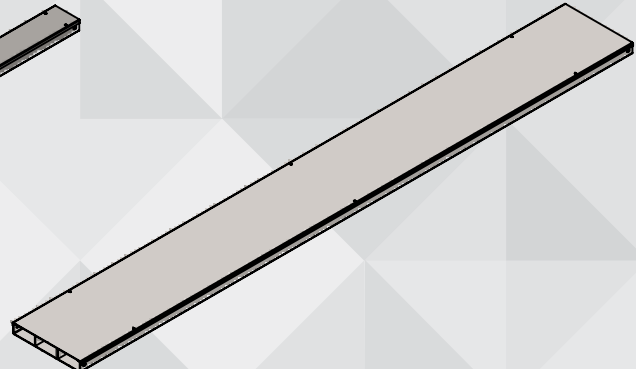
Height	Width	No.of Compartment	Item No. Trunking	Item No. Fixing Bracket cum Coupler	Suggested size of Junction Box
25	50	1	DEUFTW052516PG	DEUFBC052516PG	150/225/300/400
25	75	1	DEUFTW072516PG	DEUFBC072516PG	150/225/300/400
25	100	1	DEUFTW102516PG	DEUFBC102516PG	150/225/300/400
25	150	1	DEUFTW152516PG	DEUFBC152516PG	150/225/300/400
25	150	2	DEUFTW152516PG2	DEUFBC152516PG	225/300/400
25	225	3	DEUFTW222516PG	DEUFBC222516PG	225/300/400
25	300	3	DEUFTW302516PG	DEUFBC302516PG	225/300/400
38	50	1	DEUFTW053816PG	DEUFBC053816PG	150/225/300/400
38	75	1	DEUFTW073816PG	DEUFBC073816PG	150/225/300/400
38	100	1	DEUFTW103816PG	DEUFBC103816PG	150/225/300/400
38	150	1	DEUFTW153816PG	DEUFBC153816PG	150/225/300/400
38	150	2	DEUFTW153816PG2	DEUFBC153816PG	225/300/400
38	225	3	DEUFTW223816PG	DEUFBC223816PG	225/300/400
38	300	3	DEUFTW303816PG	DDEUFBC303816PG	225/300/400

Raceway and Junction Box

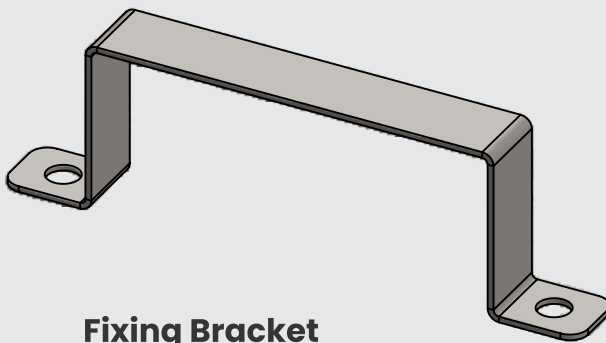
GI UNDERFLOOR RACEWAY WITH BOLTED COVER



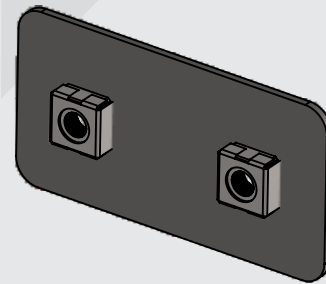
GI Under Floor Single Compartment Raceway With Bolted Cover



GI Under Floor Three Compartment Raceway With Bolted Cover



Fixing Bracket

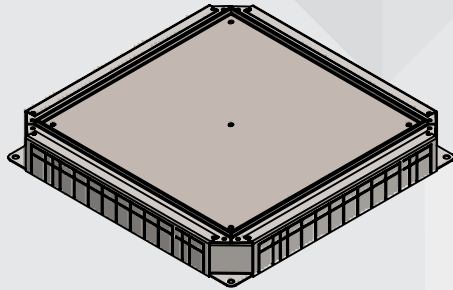


Coupler Plate

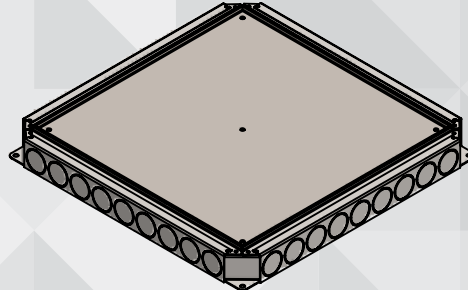
Height	Width	No.of Compartment	Item No. Trunking	Item No.- Coupler Plate	Item No - Fixing bracket	Suggested size of Junction Box
25	50	1	DEUFT052516PG	DEUFPC2520PG	DEUFB052516PG	150/225/300/400
25	75	1	DEUFT072516PG		DEUFB072516PG	150/225/300/400
25	100	1	DEUFT102516PG		DEUFB102516PG	150/225/300/400
25	150	1	DEUFT152516PG		DEUFB152516PG	150/225/300/400
25	150	2	DEUFT152516PG2		DEUFB152516PG	225/300/400
25	225	3	DEUFT222516PG		DEUFB222516PG	225/300/400
25	300	3	DEUFT302516PG		DEUFB302516PG	225/300/400
38	50	1	DEUFT053816PG	DEUFPC3820PG	DEUFB053816PG	150/225/300/400
38	75	1	DEUFT073816PG		DEUFB073816PG	150/225/300/400
38	100	1	DEUFT103816PG		DEUFB103816PG	150/225/300/400
38	150	1	DEUFT153816PG		DEUFB153816PG	150/225/300/400
38	150	2	DEUFT153816PG2		DEUFB153816PG	225/300/400
38	225	3	DEUFT223816PG		DEUFB223816PG	225/300/400
38	300	3	DEUFT303816PG		DEUFB303816PG	225/300/400

Raceway and Junction Box

GI UNDERFLOOR JUNCTION BOX



1) GI Under Floor Junction Box for Raceway



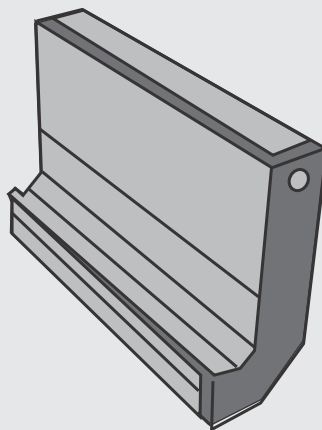
2) GI Under Floor Junction Box for Conduit

Height adjustable (From 60-90mm) Junction box with & without flyover

Description	Item No.-1 Without Flyover	Item No -1 With Flyover	Item No -2
150 X 150 mm Junction Box	DEUFJB150PG		DEUFCJB150PG
225 X 225 mm Junction Box	DEUFJB225PG	DEUFJBF225PG	DEUFCJB225PG
300 X 300 mm Junction Box	DEUFJB300PG	DEUFJBF300PG	DEUFCJB300PG
400 X 400 mm Junction Box	DEUFJB400PG	DEUFJBF400PG	DEUFCJB400PG

*** Note - Junction box top cover is available in different finishes (PG/HDG/PC/SS) & colors

VERTICAL RISER



Description	Item No.
225 mm Vertical Riser	DEUFVR225PG
300 mm Vertical Riser	DEUFVR300PG



CABLE MANAGEMENT SYSTEM




SAFE • DURABLE • CUSTOMIZED



For more information kindly call or write to us

Dakons Engineering Pvt. Ltd.

Regd Office: Unit No. U/3, U/3-2, U/3-3, Ground Floor, Green Industrial park,
Dongaripada, Poman, Vasai East 401208, Dist. Palghar. Maharashtra. India.

 **8355873719**
 www.dakons.in
 inquiry@dakons.in