



► **Support system** ◀

CABLE MANAGEMENT SYSTEM

.....
SAFE • DURABLE • CUSTOMIZED

DK **DAKONS**
ENGINEERING PVT. LTD.

Support System

ABOUT US



Since its introduction, Dakons Engineering Pvt. Ltd. has proven to be the ideal choice for cable management in many types of installations. Dakons is one of the most quality oriented brands in India in Cable management sector. Our product has been providing effective, efficient and innovative cable management solutions. Dakons is committed to provide technical, logistical and sales support across India & abroad.

MISSION OF QUALITY



Constantly striving to fulfill its mission to increase customer satisfaction, Dakons scrutinizes every step in the manufacturing process and applies strict procedures to ensure the highest possible quality in every product. We are an assessed & certified ISO 9001:2015 Quality management system. Dakons has developed a marketing and R & D strategy that offers installers and customers innovative products that combine reliability, safety and value.

VISION



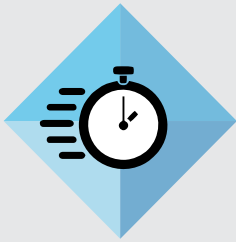
Dakons Engineering Pvt Ltd is started with a vision of creating an Indian brand offering world class quality & solutions in cable containment & support system for electrical & digital infrastructure.

DAKONS & INDIAN MARKET



In recent years the use of quality cable management products has expanded in India and Dakons is setting the pace in product innovation, quality control and timely delivery by producing world class products in India. In 2024 Dakons came up with a dedicated manufacturing facility in Vasai, Maharashtra to service the Indian & other Asian markets. This commitment to our customers will help meet the demands of an ever-growing market.

REASONS TO CHOOSE DAKONS CABLE MANAGEMENT SOLUTIONS



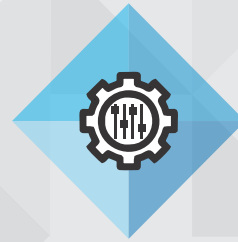
FAST

Fast coupling Solution
Time saving
for more economy.



SAFE

Products are designed
keeping cable &
installer safety in mind.



CUSTOMIZATION

Adapts to the changing
needs of the
project very fast.



CUSTOMER SUPPORT

Support our customers
for product selection,
installation, training & audits.



COMPLETE RANGE

For every environment
For all types of installations
For all types of activities.



QUALITY

The key strength of the
brand is to ensure best quality
products in its sector
in accordance to IEC 61537
& ISO 9001: 2015.



BETTER PRODUCTIVITY

Time saving in
installation saves
installation cost & increases
productivity.



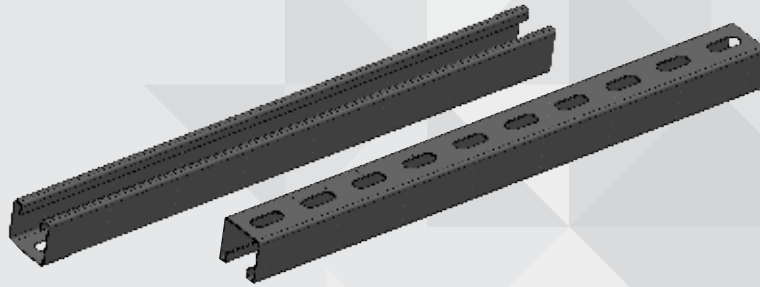
AVAILABILITY

Running items kept
in stock standard lead
time - 3 -4 weeks.

Index

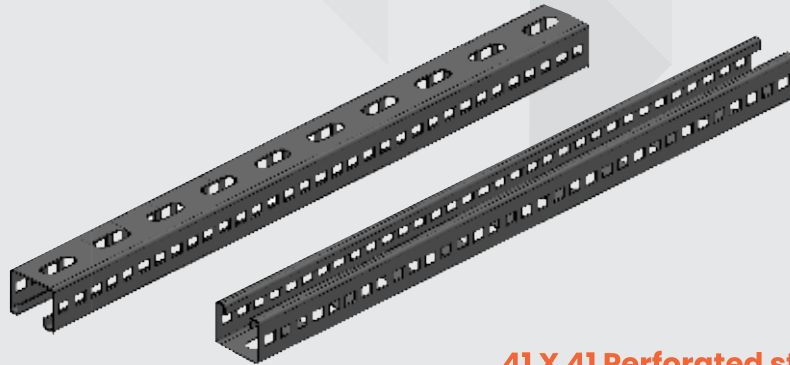
No	PRODUCT NAME	PAGE NO.
1	41 X 41 strut - US41S	Page -4
2	41 X 41 Perforated strut - UP41S	Page -4
3	41 X 21 strut - US21S	Page -4
4	41 X 41 strut coupler- USC41S	Page -5
5	Ceiling mounting with threaded rod	Page -5
6	Ceiling mounting with threaded rod	Page -5
7	41 X 41 Vertical strut with base plate - USB41S (700 mm - 2500 mm)	Page -6
8	41 X 41 Horizontal strut with base plate - USBH41S (100 mm - 750 mm)	Page -6
9	41 X 41 Vertical Perforated strut with base plate - UPB41S	Page -7
10	41 X 41 Horizontal Perforated strut with base plate-UPBH41S (100 mm - 750 mm)	Page -7
11	Back to back welded 41 X 41 stru - DUS41S (100 mm - 3000 mm)	Page -8
12	Back to back welded 41 X 41 Perforated strut - DUP41S (100 mm - 3000 mm)	Page -8
13	Back to back welded 41 X 41 Vertical strut with base plate - DUSBV41S (700 mm - 2500 mm)	Page -9
14	Back to back welded 41 X 41 horizontal strut with base plate - DUSBH41S (100 mm - 750 mm)	Page -9
15	Back to back welded 41 X 41 Vertical Perforated strut with base plate - DUPBV41S (700 mm - 2500 mm)	Page -10
16	Side welded 41 X 41 strut - SWUS41S (100 mm - 3000 mm)	Page -10
17	Other Accessories For Support Systems	Page -11
18	Accessories	Page 12-13-14

Support System



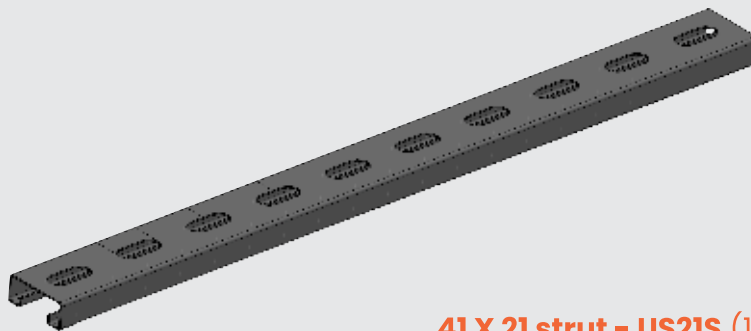
41 X 41 strut - US41S (100mm-3000mm)

		L (mm)	T (mm)	Pregalvanised	Powder coated	Hot dipped Galvanised	SS 304
1	US41S16	3000	1.6	DEUS300016PG	DEUS300016PC	DEUS300016HD	DEUS300016SS
2	US41S20	3000	2	DEUS300020PG	DEUS300020PC	DEUS300020HD	DEUS300020SS
3	US41S25	3000	2.5	DEUS300025PG	DEUS300025PC	DEUS300025HD	DEUS300025SS



41 X 41 Perforated strut - UP41S (100mm-3000mm)

		L (mm)	T (mm)	Pregalvanised	Powder coated	Hot dipped Galvanised	SS 304
1	UP41S16	3000	1.6	DEUP300016PG	DEUP300016PC	DEUP300016HD	DEUP300016SS
2	UP41S20	3000	2	DEUP300020PG	DEUP300020PC	DEUP300020HD	DEUP300020SS
3	UP41S25	3000	2.5	DEUP300025PG	DEUP300025PC	DEUP300025HD	DEUP300025SS

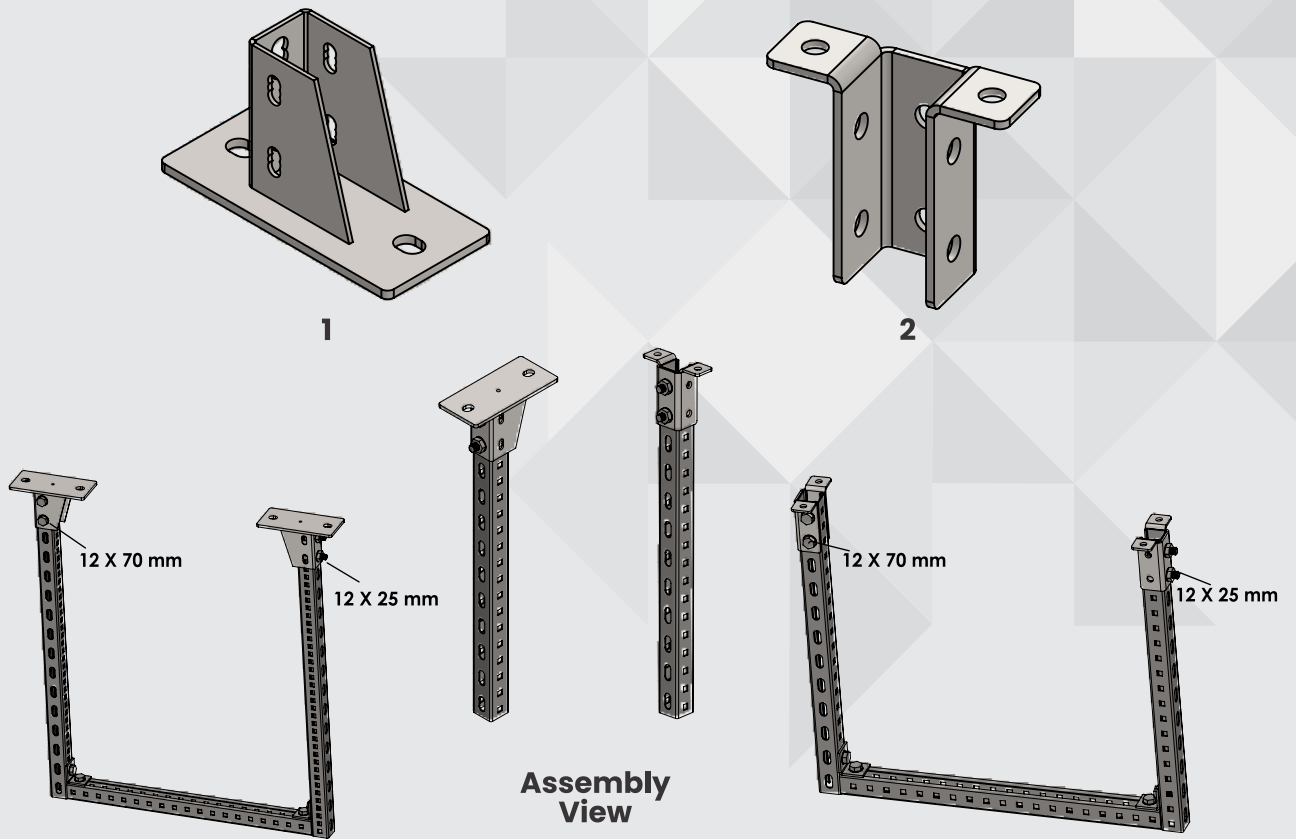


41 X 21 strut - US21S (100mm-3000mm)

		L (mm)	T (mm)	Pregalvanised	Powder coated	Hot dipped Galvanised	SS 304
1	US21S16	3000	1.6	DEUS21300016PG	DEUS21300016PC	DEUS21300016HD	DEUS21300016SS
2	US21S20	3000	2	DEUS21300020PG	DEUS21300020PC	DEUS21300020HD	DEUS21300020SS
3	US21S25	3000	2.5	DEUS21300025PG	DEUS21300025PC	DEUS21300025HD	DEUS21300025SS

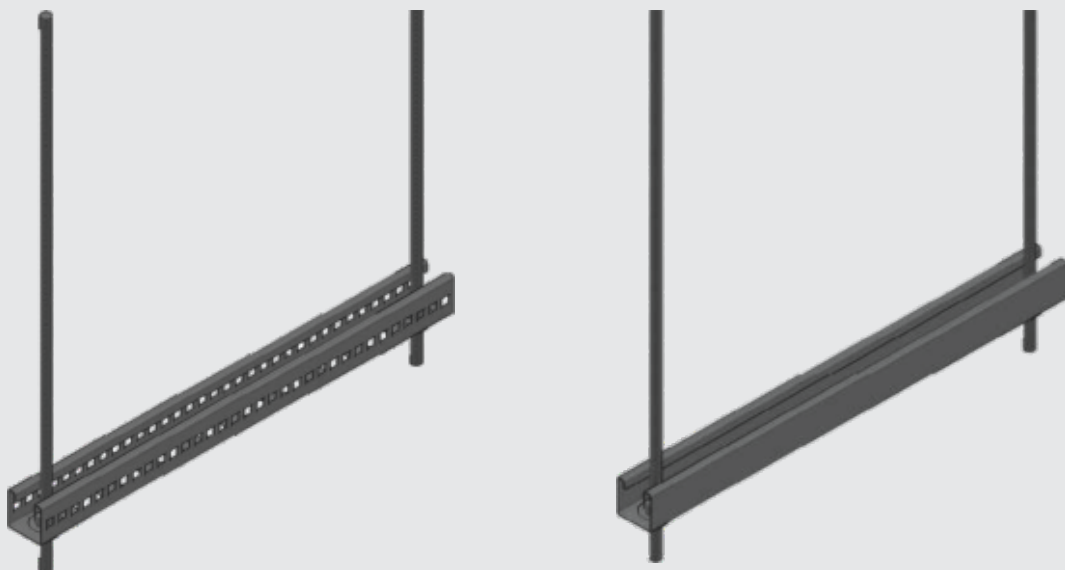
Support System

41 X 41 strut base- USC41S



		UOM	T (mm)	Pregalvanised	Powder coated	Hot dipped Galvanised	SS 304
1	USB41S	No' s	3		DEUSB41SPC	DEUSB41SHD	
2	USB41P	No' s	4	DEUSB41PPG	DEUSB41PPC	DEUSB41PHD	DEUSB41PSS

Ceiling mounting with threaded rod



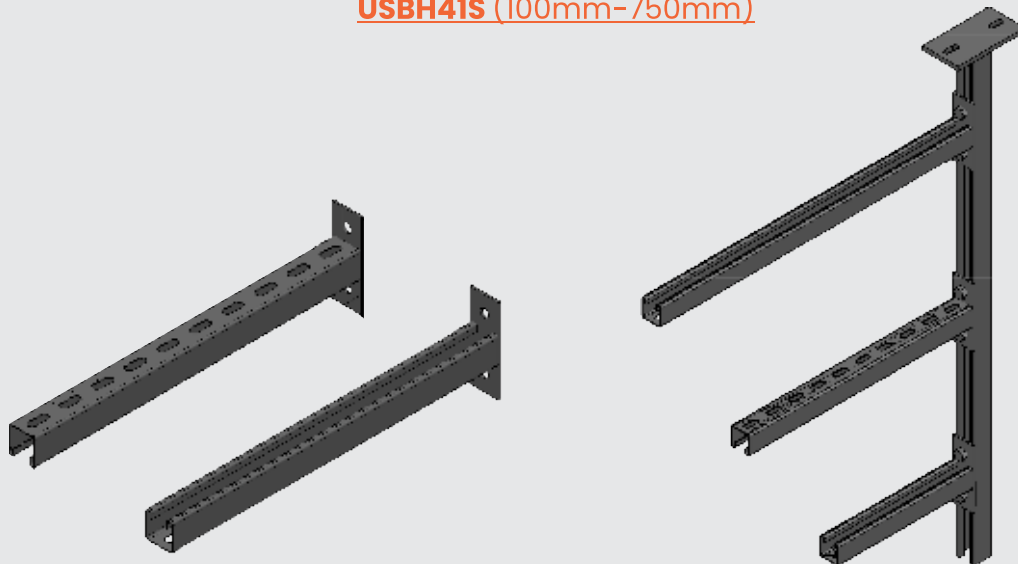
Support System

41 X 41 Vertical strut with base plate - USB41S (700mm-2500mm)



		L-XXXX mm	T (mm)	Pregalvanised	Powder coated	Hot dipped Galvanised	SS 304
1	USB41S20	700-2500	2		DEUSBXXXX20PC	DEUSBXXXX20HD	

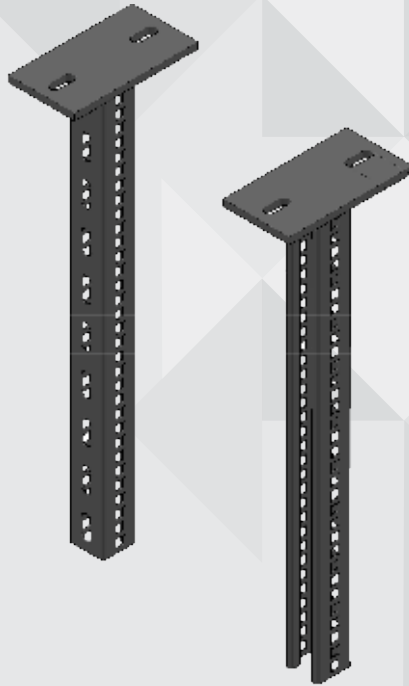
41 X 41 Horizontal strut with base plate - USBH41S (100mm-750mm)



		L-XXXX mm	T (mm)	Pregalvanised	Powder coated	Hot dipped Galvanised	SS 304
1	USBH41S20	100-750	2		DEUSBHXXXX20PC	DEUSBHXXXX20HD	

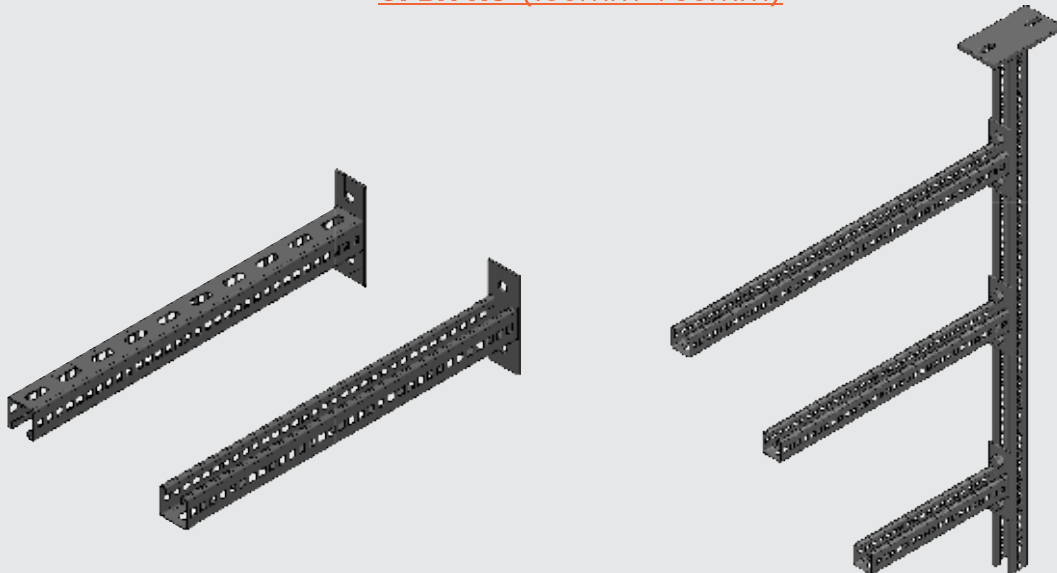
Support System

41 X 41 Vertical Perforated strut with base plate - UPBV41S



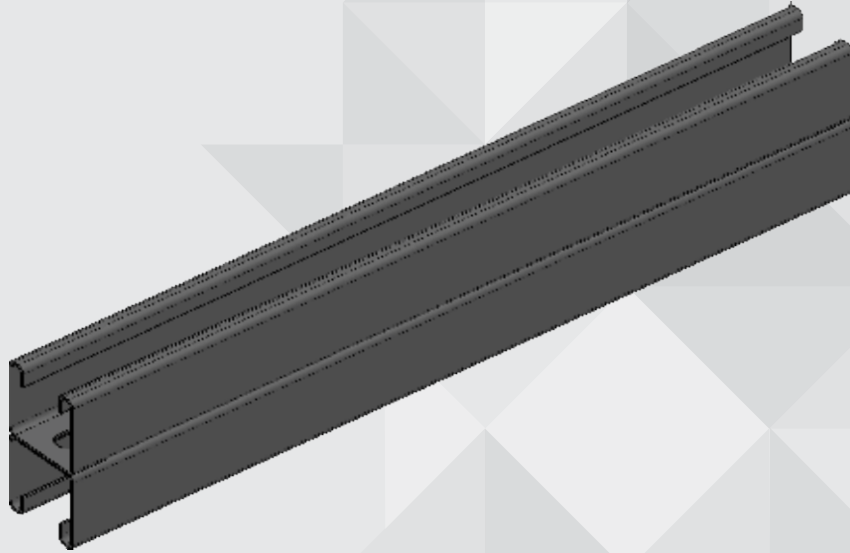
		L-XXXX mm	T (mm)	Pregalvanised	Powder coated	Hot dipped Galvanised	SS 304
1	UPBV41S20	700-2500	2		DEUPBVXXXX20PC	DEUPBVXXXX20HD	

41 X 41 Horizontal Perforated strut with base plate UPBH41S (100mm-750mm)



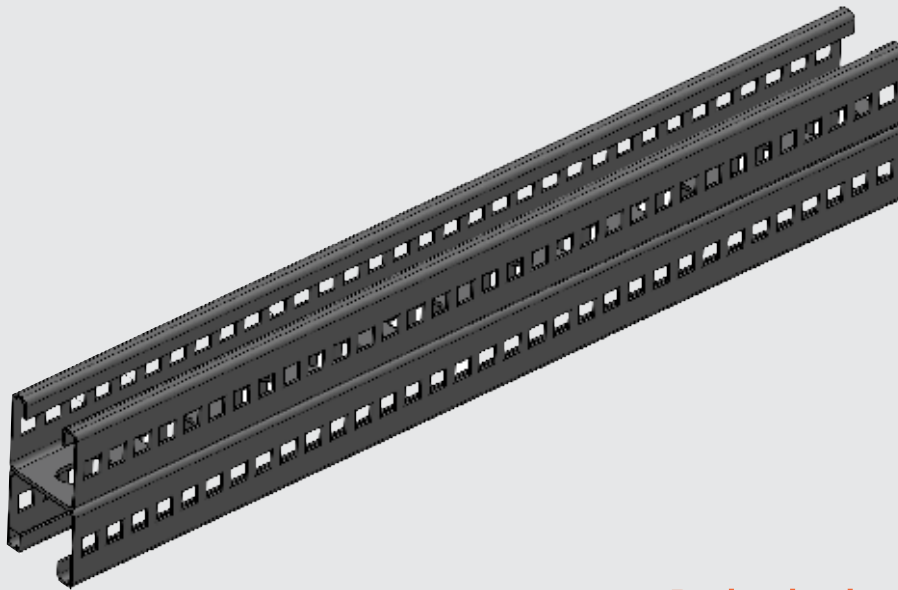
		L-XXXX mm	T (mm)	Pregalvanised	Powder coated	Hot dipped Galvanised	SS 304
1	UPBH41S20	100-750	2		DEUPBHXXXX20PC	DEUPBHXXXX20HD	

Support System



Back to back welded 41 X 41 strut - DUS41S
(100mm-3000mm)

		L (mm)	T (mm)	Pregalvanised	Powder coated	Hot dipped Galvanised	SS 304
1	DUS41S16	3000	1.6		DEDUS300016PC	DEDUS300016HD	
2	DUS41S20	3000	2		DEDUS300020PC	DEDUS300020HD	
3	DUS41S25	3000	2.5		DEDUS300025PC	DEDUS300025HD	

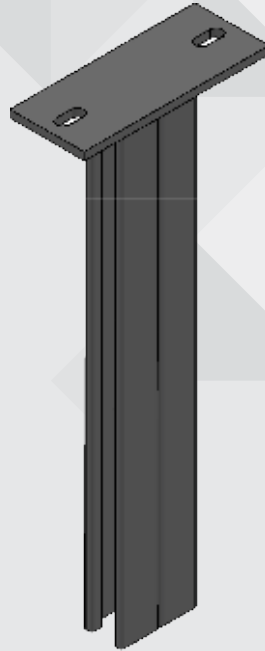


Back to back welded 41 X 41 Perforated strut - DUP41S
(100mm-3000mm)

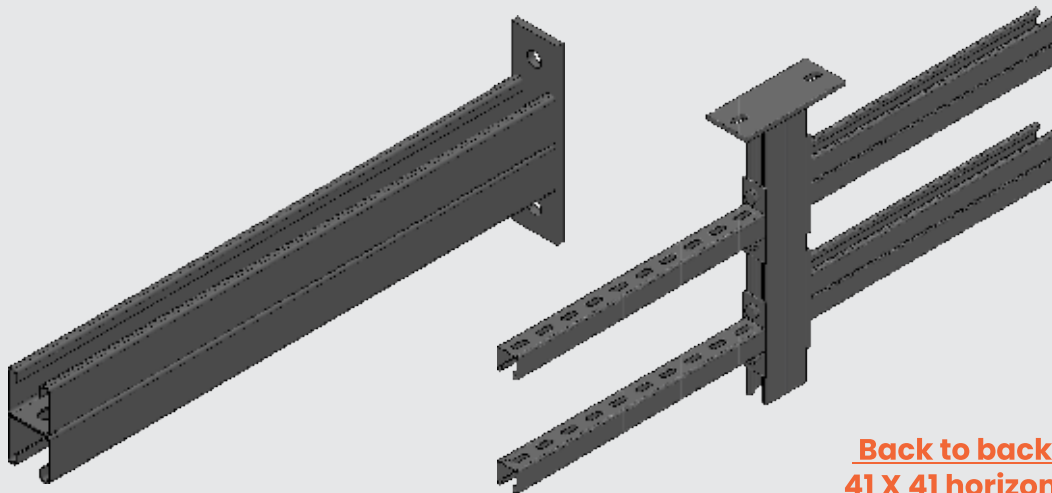
		L (mm)	T (mm)	Pregalvanised	Powder coated	Hot dipped Galvanised	SS 304
1	DUP41S16	3000	1.6		DEDUP300016PC	DEDUP300016HD	
2	DUP41S20	3000	2		DEDUP300020PC	DEDUP300020HD	
3	DUP41S25	3000	2.5		DEDUP300025PC	DEDUP300025HD	

Support System

Back to back welded 41 X 41 Vertical strut with base plate - DUSBV41S (700mm-2500mm)



		L-XXXX mm	T (mm)	Pregalvanised	Powder coated	Hot dipped Galvanised	SS 304
1	DUSBV41S	700-2500	2	DEUSBXXXX20PG	DEUSBXXXX20PC	DEUSBXXXX20HD	

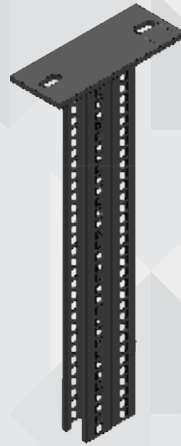


Back to back welded 41 X 41 horizontal strut with base plate - DUSBH41S (100mm-750mm)

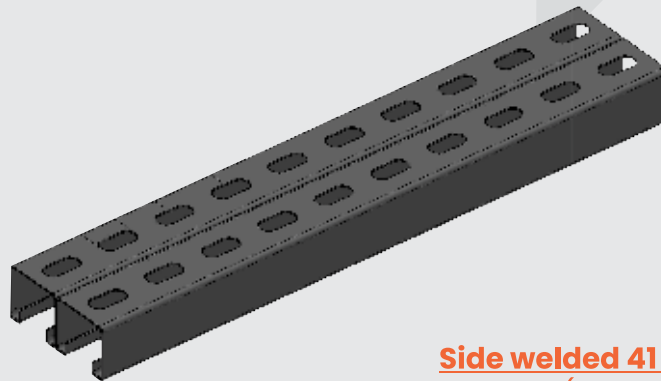
		L-XXXX mm	T (mm)	Pregalvanised	Powder coated	Hot dipped Galvanised	SS 304
1	DUSBH41S20	100-750	2		DEDUSBHXXXX20PC	DEUSBXXXX20HD	

Support System

Back to back welded 41 X 41 Vertical Perforated strut with base plate - DUPBV41S (700mm-2500mm)

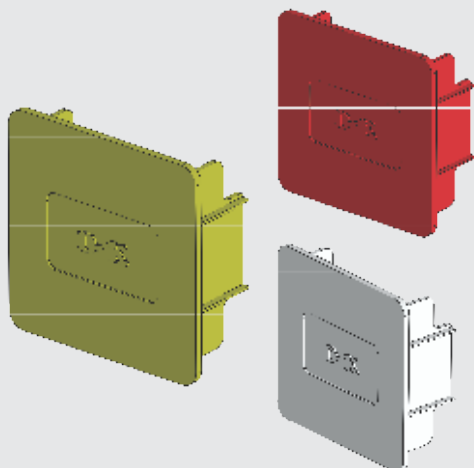


		L-XXXX mm	T (mm)	Pregalvanised	Powder coated	Hot dipped Galvanised	SS 304
1	DVPBV41S	700-2500	2		DEDVPBXXX20HD	DEDVPBXXX20SS	



Side welded 41 X 41 strut - SWUS41S (100mm-3000mm)

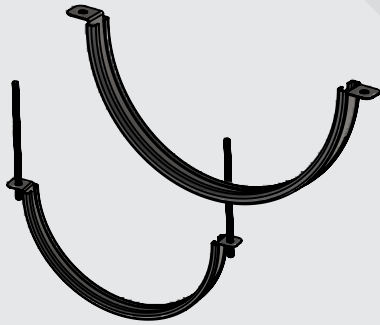
		L (mm)	T (mm)	Pregalvanised	Powder coated	Hot dipped Galvanised	SS 304
1	SWUS41S16	3000	1.6		DESWUS300016PC	DESWUS300016HD	
2	SWUS41S20	3000	2		DESWUS300020PC	DESWUS300020HD	
3	SWUS41S25	3000	2.5		DESWUS300025PC	DESWUS300025HD	



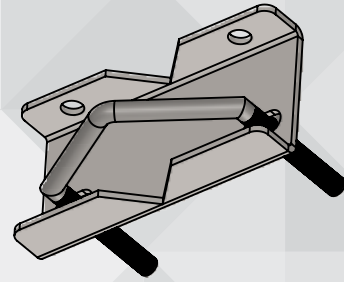
		MATERIAL	REF. NO
1	PLASTIC END CAP FOR 41 X 41 MM STRUT YELLOW	ABS	DEEC41ABSR
2	PLASTIC END CAP FOR 41 X 41 MM STRUT RED	ABS	DEEC41ABSY
3	PLASTIC END CAP FOR 41 X 41 MM STRUT WHITE	ABS	DEEC41ABSW
4	PLASTIC END CAP FOR 41 X 41 MM STRUT BLUE	ABS	DEEC41ABSB

Support System

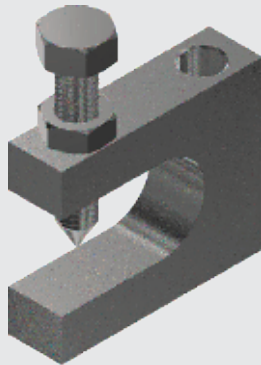
Other Accessories For Support Systems



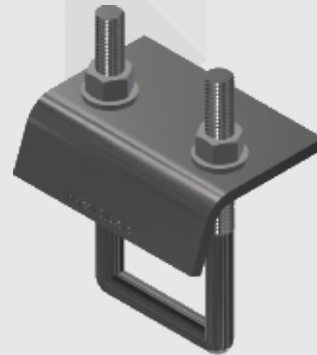
Pipe Support Clamp



Floor Pedestal Clamp

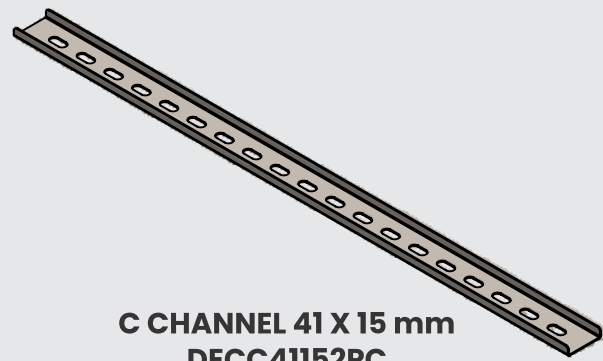
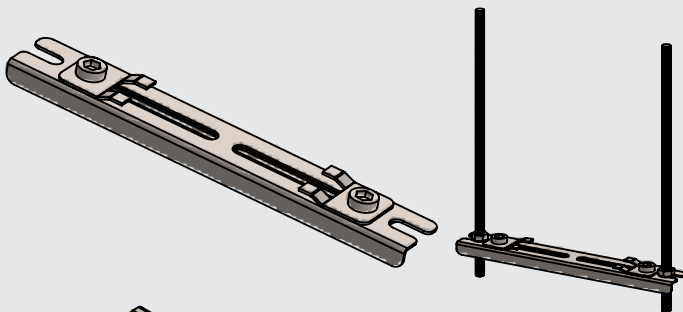


MAB Beam Clamp

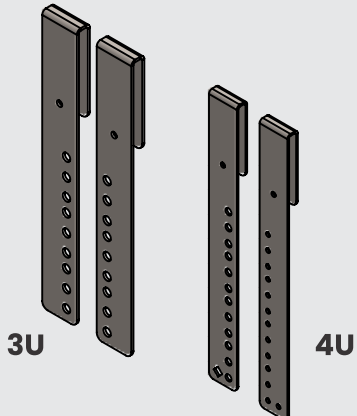


Square Beam Clamp

Trapeze Support Kit
DETSKXY2PC



C CHANNEL 41 X 15 mm
DECC41152PC

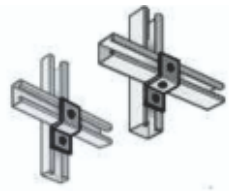

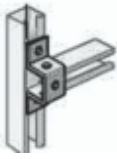



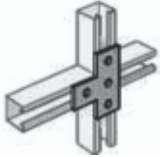




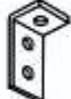




PANEL MOUNTING
SUPPORT


3U


4U

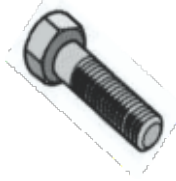
Support System

			Pre galvanised	Powder coated
1			DEZ41/41PG	DEZ41/41PC
2			DEOM41/41PG	DEOM41/41PC
3			DEPL4TPG	DEPL4TPC
4			DETE4TPG	DETE4TPC
5			DEEQ2TPG	DEEQ2TPC
6			DEEQ3TPG	DEEQ3TPC
7			DEEQ4TPG	DEEQ4TPC


Support System

			Pregalvanised
1	6 MM SPRING NUT SUITABLE FOR 41 X 41 MM STRUT		DESN416PG
2	8 MM SPRING NUT SUITABLE FOR 41 X 41 MM STRUT		DESN418PG
3	10 MM SPRING NUT SUITABLE FOR 41 X 41 MM STRUT		DESN4110PG
4	12 MM SPRING NUT SUITABLE FOR 41 X 41 MM STRUT		DESN4112PG
5	16 MM SPRING NUT SUITABLE FOR 41 X 41 MM STRUT		DESN4116PG

1	6 MM SPRING NUT SUITABLE FOR 41 X 21 MM STRUT		DESN216PG
2	8 MM SPRING NUT SUITABLE FOR 41 X 21 MM STRUT		DESN218PG
3	10 MM SPRING NUT SUITABLE FOR 41 X 21 MM STRUT1		DESN2110PG
4	12 MM SPRING NUT SUITABLE FOR 41 X 21 MM STRUT		DESN2112PG
5	16 MM SPRING NUT SUITABLE FOR 41 X 21 MM STRUT		DESN2116PG

1	12 X 25MM BOLT		DEB1225PG
2	12 X 50MM BOLT		DEB1250PG
3	12 X 70MM BOLT		DEB1270PG

1	6 MM DIA NUT		DEN6PG
2	8 MM DIA NUT		DEN8PG
3	10 MM DIA NUT		DEN10PG
4	12 MM DIA NUT		DEN12PG
5	16 MM DIA NUT		DEN16PG

1	6 MM DIA WASHER		DEW6PG
2	8 MM DIA WASHER		DEW8PG
3	10 MM DIA WASHER		DEW10PG
4	12 MM DIA WASHER		DEW12PG
5	16 MM DIA WASHER		DEW16PG

Support System

			Pregalvanised	
1	6 MM DIA THREADED ROD (1000MM)		DETR6/1PG	
2	8 MM DIA THREADED ROD (1000MM)		DETR8/1PG	
3	10 MM DIA THREADED ROD (1000MM)		DETR10/1PG	
4	12 MM DIA THREADED ROD (1000MM)		DETR12/1PG	
5	16 MM DIA THREADED ROD (1000MM)		DETR16/1PG	
1	6 MM DIA THREADED ROD (2000MM)		DETR6/2PG	
2	8 MM DIA THREADED ROD (2000MM)		DETR8/2PG	
3	10 MM DIA THREADED ROD (2000MM)		DETR10/2PG	
4	12 MM DIA THREADED ROD (2000MM)		DETR12/2PG	
5	16 MM DIA THREADED ROD (2000MM)		DETR16/2PG	
1	6 MM DIA THREADED ROD (3000MM)		DETR6/3PG	
2	8 MM DIA THREADED ROD (3000MM)		DETR8/3PG	
3	10 MM DIA THREADED ROD (3000MM)		DETR10/3PG	
4	12 MM DIA THREADED ROD (3000MM)	DETR12/3PG		
5	16 MM DIA THREADED ROD (3000MM)	DETR16/3PG		
1	6 MM DIA DOME NUT		MFDN6PG	
2	8 MM DIA DOME NUT		MFDN8PG	
3	10 MM DIA DOME NUT		MFDN10PG	
4	12 MM DIA DOME NUT		MFDN12PG	
5	16 MM DIA DOME NUT		MFDN16PG	



CABLE MANAGEMENT SYSTEM




SAFE • DURABLE • CUSTOMIZED



For more information kindly call or write us

Dakons Engineering Pvt. Ltd.

Regd Office: Unit No. U/3, U/3-2, U/3-3, Ground Floor, Green Industrial park,
Dongaripada, Poman, Vasai East 401208, Dist. Palghar. Maharashtra. India.

 **8355873719**
 www.dakons.in
 inquiry@dakons.in